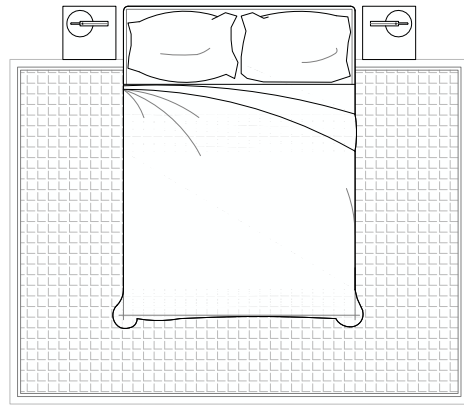
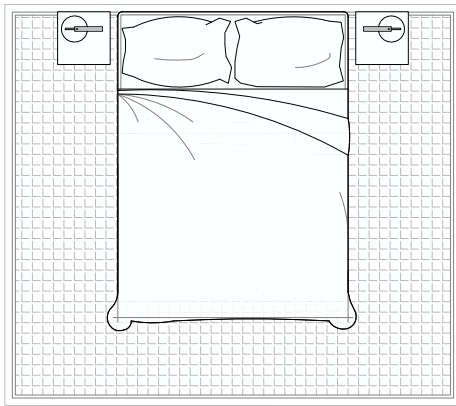
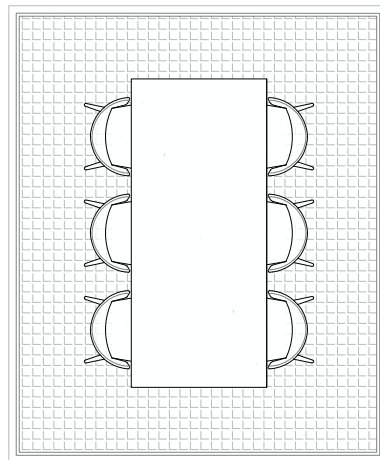
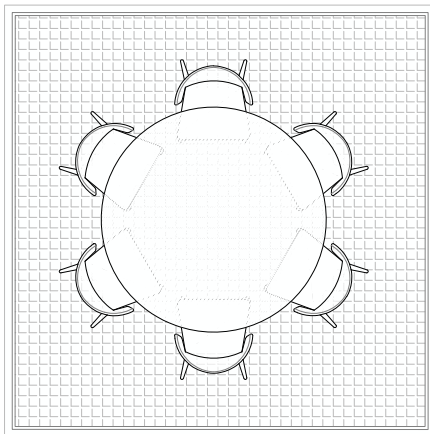


RUG PLACEMENT GUIDE.

Our rug placement guide is designed to provide you with a visual reference for the optimal rug placement and the ideal layout of furniture on top. This illustrates the recommended rug positioning for each room, ensuring a well-proportioned arrangement that compliments your space.

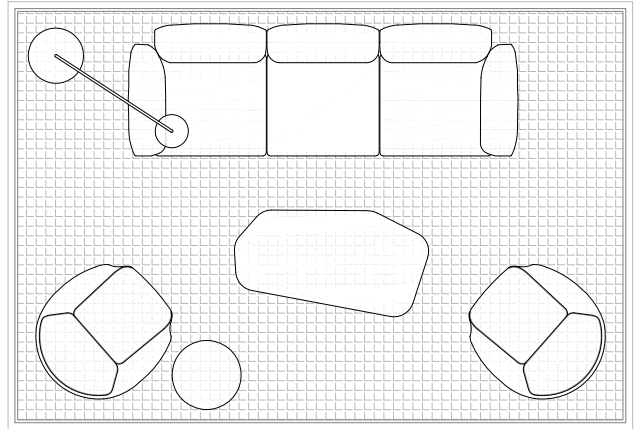
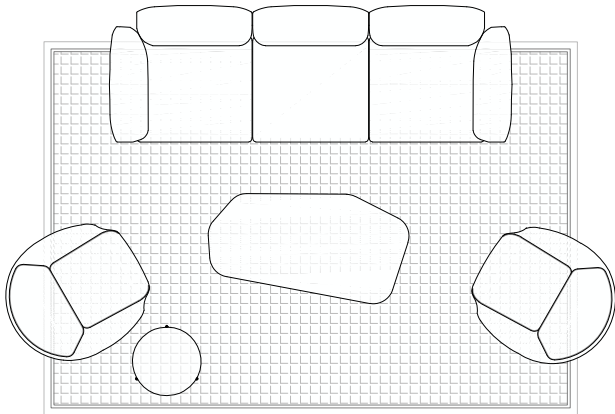


BEDROOM

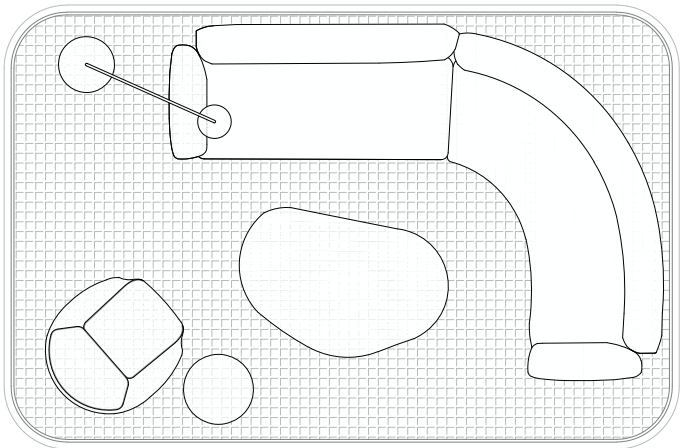
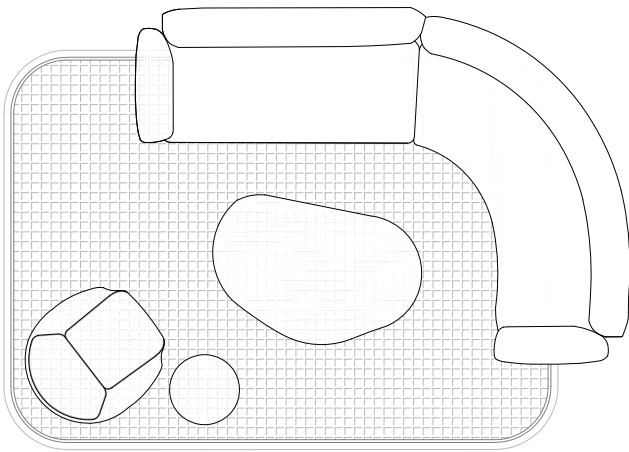


DINING ROOM

The rug should extend to a minimum of 75cm from the edges of the dining table. This allows for the chairs to be pulled out comfortably while remaining on the rug.



LIVING ROOM
OPTION 1.



LIVING ROOM
OPTION 2.